

ALUFORCE PRO 150 SM/2M

ALUFORCE PRO 150 SM - ONE MOTOR

P130Z300330202AA

Single step, stand-sit height electrically adjustable

Height (mm)	min. 680 / max. 1130
Stroke (mm)	450
Speed (mm/s)	23
Width (mm)	min. 1100 / max. 1700
Depth of feet (mm)	660
Capacity (kg)	dynamic 60 / static 140
Noise dB(A)	< 50
Power	V 110
Plug type	Replaceable
Weight (kg)	22

Legs and feet made of aluminium.

Top supports & crossbars made of powder coated steel.

Available with one or two motors.

Available surface colors

Black, White, Silver



Optional Accessories

Cable tray	•
Bottom Crossbar Connection Set	•
Cable organizer	•

For further information see the accessories section of this catalogue

ALUFORCE PRO 150 2M - TWO MOTORS

P130Z300330102AA

Speed (mm/s)	25
Power	V 240
Weight (kg)	23



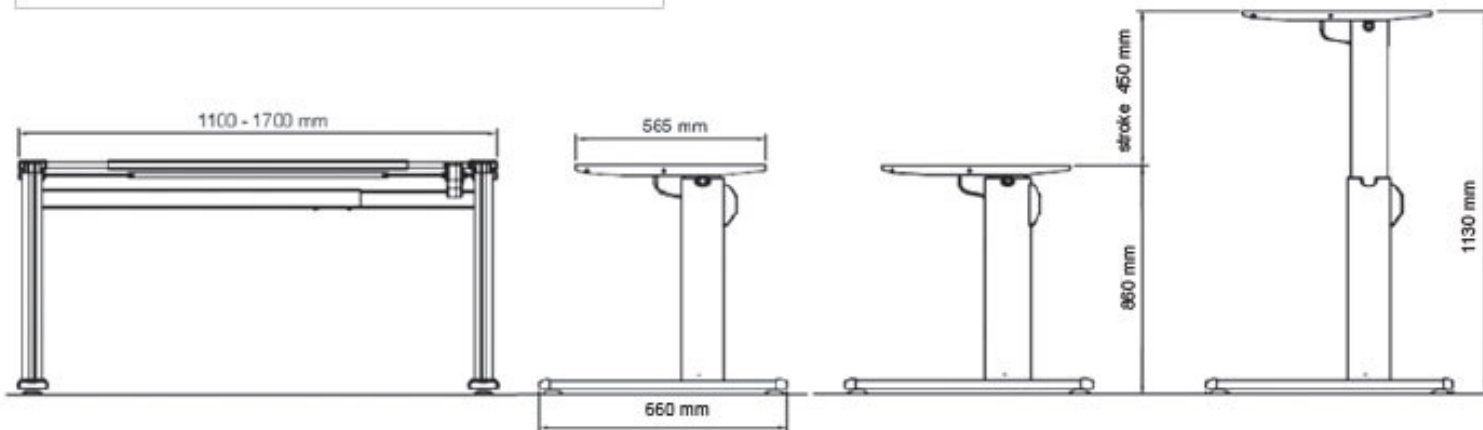
VISIONLIFT
INSIDE

Packing dimension single unit

1110 x 260 x 160 (LxWxH - mm)

Packing dimension pallet (24 frames)

1140 x 1120 x 1080 (LxWxH - mm)



ALUFORCE PRO 151 M 90°

ALUFORCE PRO 151 M 90°

P330g302230102AA

Single step, sit-stand height electrically adjustable

height (mm)	min. 680 / max. 1130
Stroke (mm)	450
Speed (mm/s)	23
Width main unit (mm)	min. 1180 / max. 1700
Width ancillary unit (mm)	min. 1300 / max. 1700
Depth of feet (mm)	660
Capacity (kg)	dynamic 80 / static 140
Noise dB(A)	< 50
Power	110 V or 240 V
Plug type	Replaceable
Weight (kg)	32

Legs and feet made of aluminium.

Top supports & crossbars made of powder coated steel.

Other heights/depth on request.

Available surface colors

Black, White, Silver



Optional Accessories

Cable tray	•
Bottom Crossbar Connection Set	•
Cable organizer	•

For further information see the accessories section of this catalogue

Packing dimension single unit

1180 x 350 x 190 (LxWxH - mm)

Packing dimension pallet (15 frames)

1140 x 1120 x 1070 (LxWxH - mm)



VISIONLIFT
INSIDE

